

SPLIT-FIRE

Buck-It Lite Assembly Instructions

Before starting, identify all components and hardware included with your Buck-It Lite. It is recommended that all bolts be installed loosely until instructed to fully tighten them. Operation and safety instructions are on the page following the assembly instructions.

Tools Required:

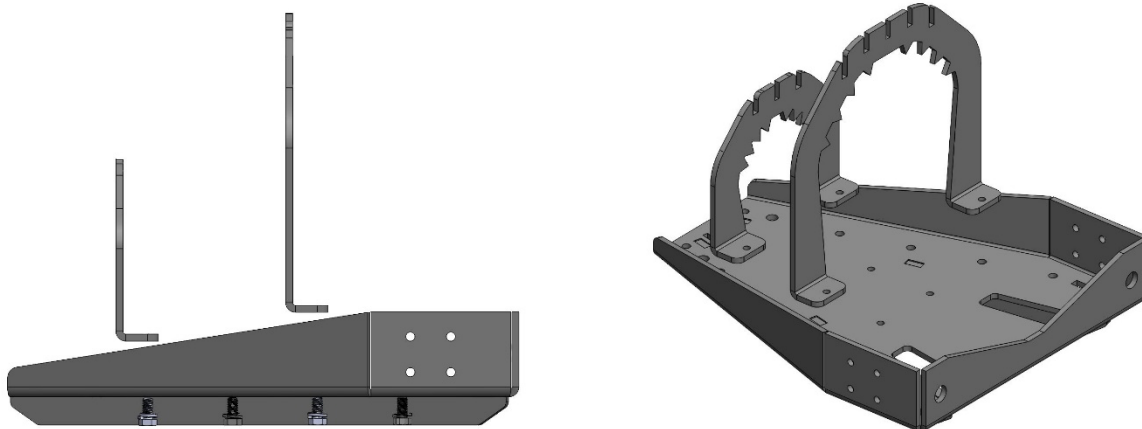
9/16" Socket or Wrench

1/2" Socket or Wrench

7/16" Socket or Wrench

Step 1 – Install the First Two Toothed Arches

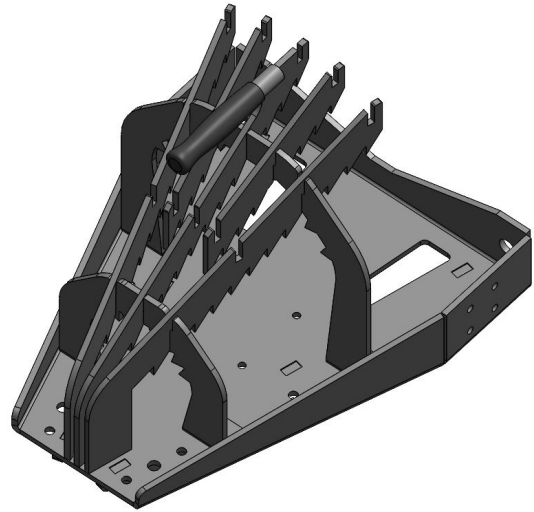
1. Position the smallest toothed arch and the second-largest toothed arch on the base.
2. Secure each arch to the base using the supplied 3/8" x 3/4" bolts and lock washers.
3. Install all bolts loosely. Do not fully tighten them at this stage.



Step 2 – Install the Spars

1. Locate the spar with the handle and place it into the center slots of the toothed arches and base.
2. Install the two longer spars into the outermost slots of the toothed arches and base.
3. Install the two shorter spars into the remaining slots in the second-largest toothed arch.

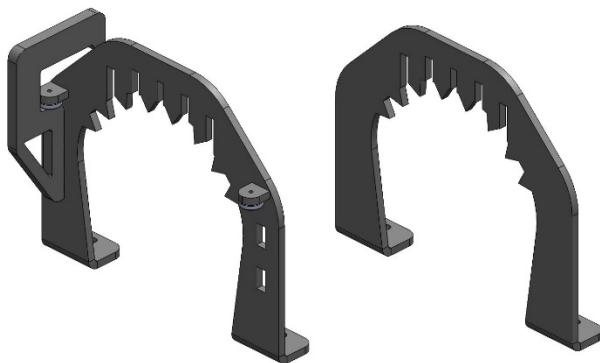
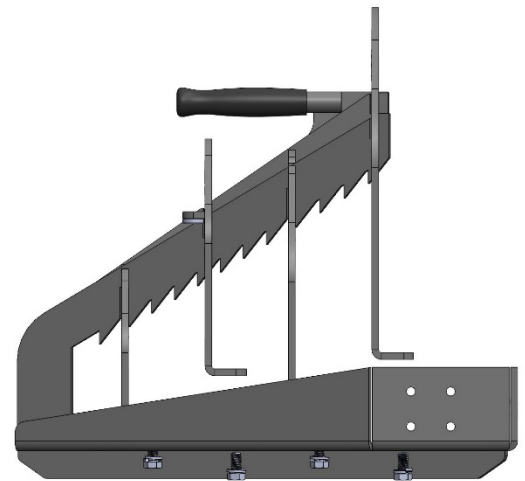
Ensure all spars are fully seated in their slots before proceeding.



Step 3 – Install the Remaining Toothed Arches

1. Position the largest toothed arch and the second-smallest toothed arch above the assembly.
2. Align the slots in these arches with the upward-facing slots in the spars installed in Step 2.
3. Lower the arches into place until they are fully seated.

Important: If your Buck-It Lite includes the Chainsaw Vice option, ensure the second-smallest toothed arch being installed is the version equipped with the storage slots and magnet catches.



4. Once both arches are fully seated, install the remaining 3/8" x 3/4" bolts and lock washers.
5. After all eight arch mounting bolts have been installed, tighten them securely.

Step 4 – Install the Chainsaw Cut Guides

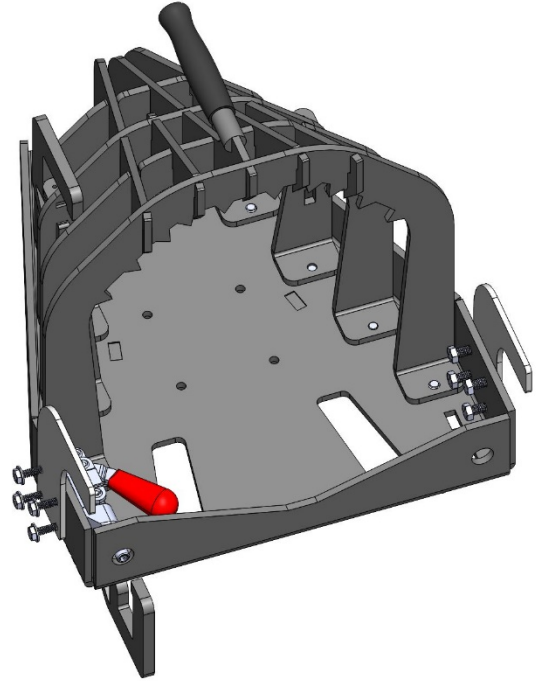
Standard Buck-It Lite (Right Side in Photo)

1. Position the chainsaw cut guides on each side of the Buck-It Lite.
2. Secure the two guides using the eight supplied 5/16" x 1/2" bolts.
3. Tighten the bolts until secure.

Important: Do not overtighten these bolts, as the guide threads are plastic and may be damaged.

Buck-It Lite with Chainsaw Vice Option (Left Side in Photo)

1. Position the cut guides and clamp assembly.
2. Before tightening any hardware, ensure the clamp pusher is centered in the opening at the front of the Buck-It Lite.
3. Secure the assembly using the supplied 1/4"x 3/4" clamp bolts and washers.

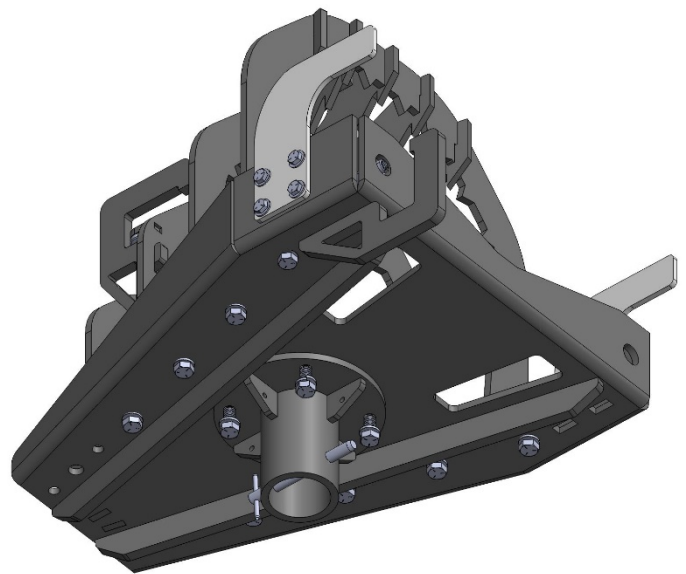


Step 5 – Install the Swivel Base (Optional)

If your Buck-It Lite includes the swivel base option:

1. Turn the Buck-It Lite over to access the underside.
2. Position the swivel base against the bottom of the unit and secure it using the four supplied 3/8" x 3/4" bolts and lock washers.

Your Buck-It Lite is now fully assembled and ready for use.



How to Place a log in your Buck-It Lite:

1. Place the larger end of your log onto the front of the Buck-It Lite, ensure it is smaller than 10" in diameter. If the log is too heavy to lift alone, ask for assistance to avoid injury. If optioned, remove and stow chainsaw vice jaws before placing the log onto the Buck-It Lite.
2. Go to the other end of the log and lift the log past parallel with the ground then push into the mouth of the Buck-It Lite.
3. Push down on the log to seat the log into the teeth, and to ensure the log is stable before cutting. Be careful on the last cut closest to the Buck-It Lite that you do not make contact with any metal parts. The cut guides will aid visually to avoid this.

For safe use of your Buck-It Lite:

- Do not stand on branches or limbs while positioned in the Buck-It Lite.
- Always remove and stow chainsaw vice jaws before inserting a log or cutting. Failure to do so could result in damage or serious injury.
- Exercise caution when removing debris from the Buck-It Lite, as the teeth are sharp and may cause injury.
- Be aware of pinch points when placing logs into the Buck-It Lite. When working with a second person, maintain clear communication and coordinate movements to prevent hand and finger injuries.
- When cutting a log, keep the chainsaw clear of all metal components of the Buck-It Lite. The included saw guide markers are provided to help identify the safe cutting zone and reduce the risk of contact with metal components, particularly when visibility is limited.
- Always use appropriate personal protective equipment (PPE) when operating the Buck-It Lite, including eye protection and steel-toed footwear.